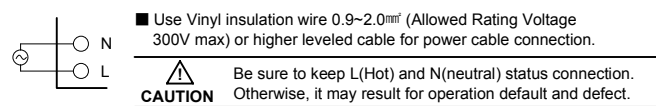


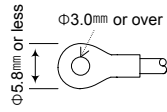


### Power Cable Connection



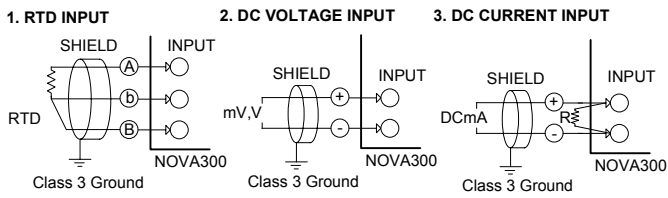
### Terminal Specification

Use M3.5 screw-compatible crimp-on terminals with insulating sleeve as shown below.

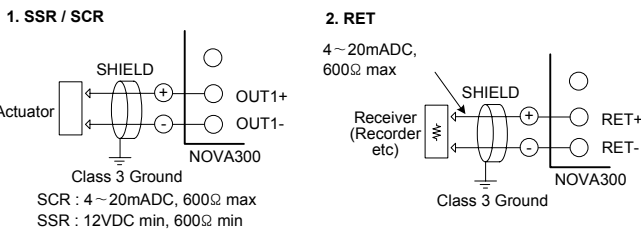


Never touch the terminal in the rear panel to prevent electric shock when power is supplied to the controller, and Be sure to turn off the electric power before wiring.  
**CAUTION** Bind the wires connected to the controller terminals neatly together in order to prevent electromagnetic wave radiation.

### ANALOG INPUT Connection

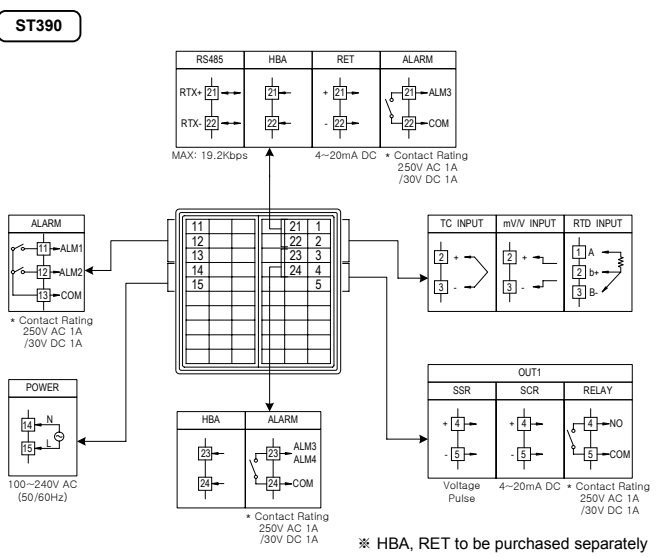


### ANALOG OUTPUT Connection

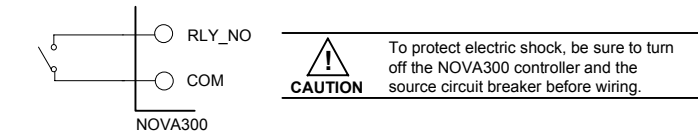


To prevent electric shock, be sure to turn off the NOVA300 controller and the source circuit breaker before connection/disconnection of the actuator, receiver as well as wiring.  
**CAUTION**

### Terminal Arrangement and External wiring

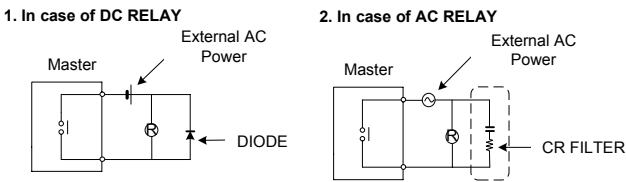


### RELAY Connection



### Use an Auxiliary RELAY

- When using an auxiliary relay or inductance load (L) such as solenoid, be sure to insert a CR filter(for AC) or diode (for DC) in parallel as a surge-suppressor circuit to reject sparks, preventing malfunction or damage.
- Recommended CR FILTER
  - ▶ Seong Hoo Electronics : BSE104R120 25V (0.1μ+120Ω)
  - ▶ HANA PARTS CO. : HN2EAC
  - ▶ Songmi Electric Co.,Ltd. : CR UNIT 953, 955 etc
  - ▶ Jiwo Electric Co.,Ltd. : SKV, SKVB etc
  - ▶ Shinyoung Communications Co.,Ltd. : CR-CFS, CR-U etc

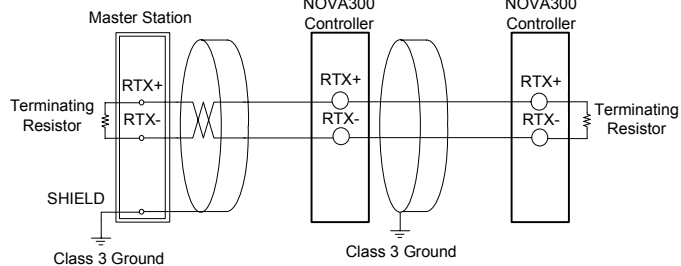


**CAUTION** DIODE, CR FILTER Need to connect direct to RELAY COIL Terminal (SOCKET)  
 Ⓞ: RELAY Rating Specification of RELAY COIL should be used lower than the Contact Rating of Controller

### Display Error and Correction

Display ERROR	ERROR Contents	Correction
E.SYS	EEPROM, DATA Loss	Ask repair
E.RJC	RJC SENSOR Failure	Ask repair
Flash Decimal point of SP	Communication Failure	Comm Cable CHECK
S.OPN	SENSOR Open	SENSOR CHECK
E.AT	AT Time Out (27h over)	PROCESS CHECK

### Communication Wiring (RS485)

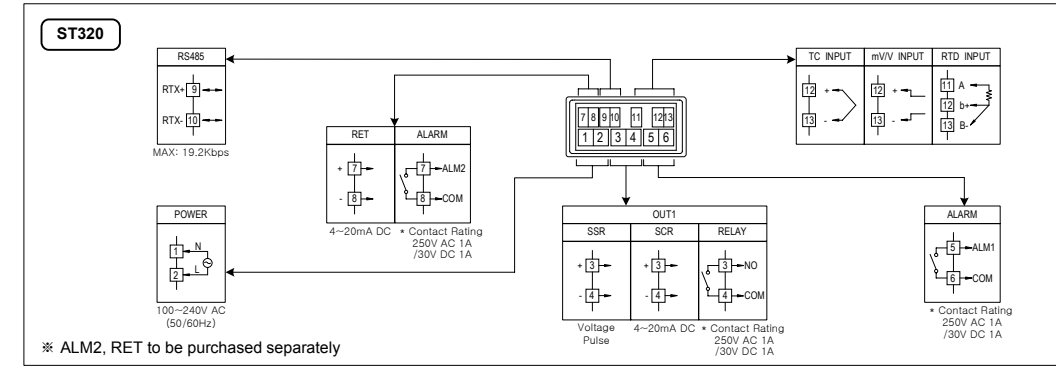
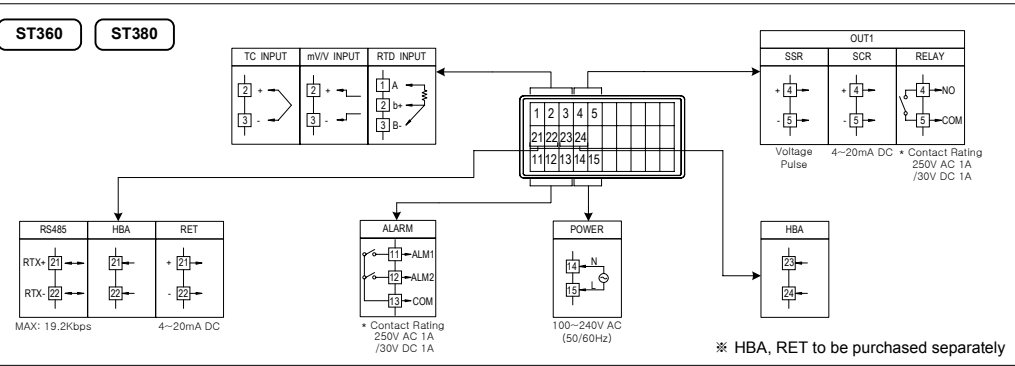


Up to 31 slave controllers(NOVA300 series instruments equipped with communication option) can be multidrop-connected.  
 Be sure to connect terminating resistors(220Ω, 1/4W) to slave and master controllers at communication-channel ends as shown above.  
**CAUTION** To prevent electric shock, be sure to turn off the NOVA300 controller and source circuit breaker before wiring.

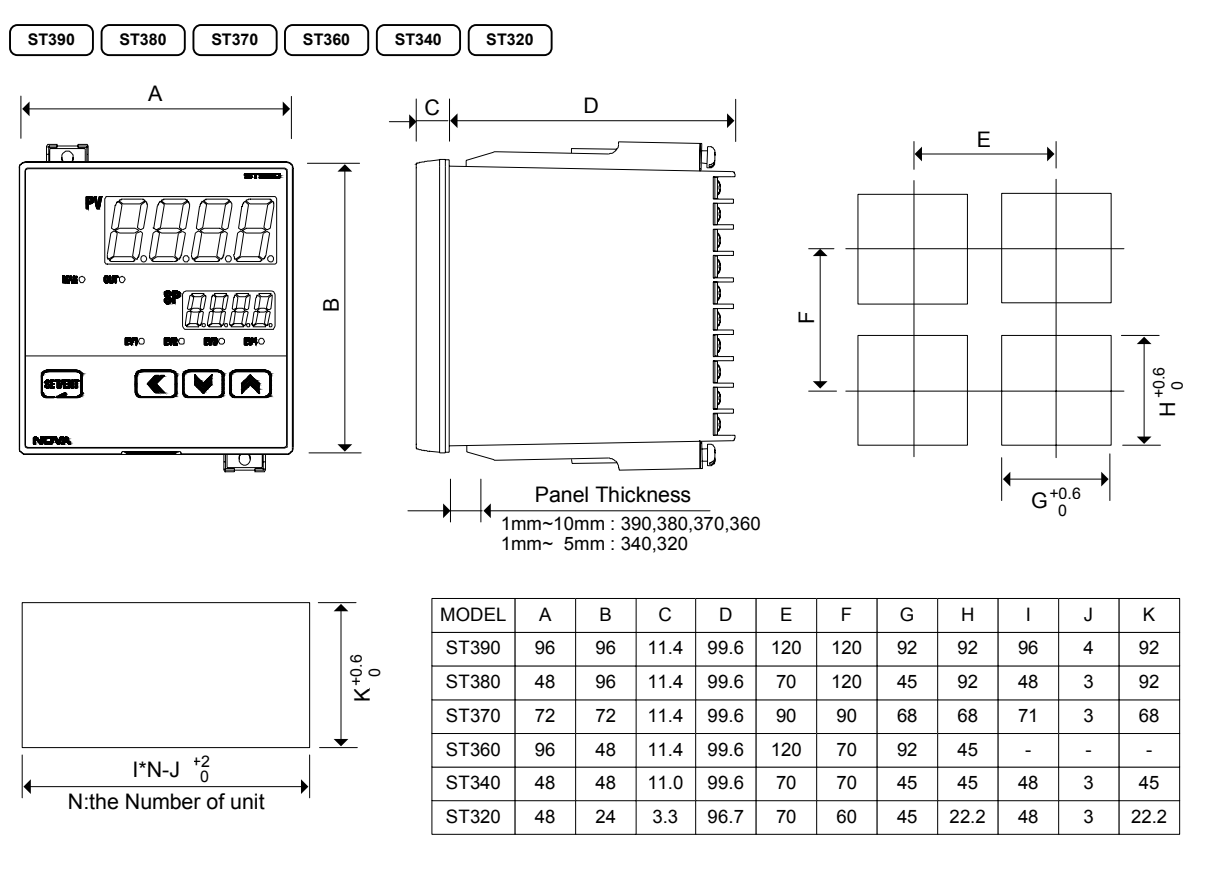
### D-Registers

Parameter	D-egister	Parameter	D-egister	Parameter	D-egister
NPV	0001	AL-2	0407	IN.RL	0604
NSP	0002	AL-3	0408	IN.DP	0605
MVOUT	0006	AL-4	0409	BIAS	0606
ALSTS	0014	AL1.H	0411	IN.SH	0607
A/M	0105	AL2.H	0412	IN.SL	0608
AT	0121	AL3.H	0413	IN.FL	0609
AT-G	0122	AL4.H	0414	BSL	0610
US1	0135	AL1.L	0416	O.ACT	0611
US2	0136	AL2.L	0417	CT	0612
SP	0201	AL3.L	0418	OH	0613
LOCK	0203	AL4.L	0419	OL	0614
DSP.H	0204	A1DB	0421	HYS.H	0615
DSP.L	0205	A2DB	0422	HYS.L	0616
U.PWD	0206	A3DB	0423	PO	0617
ONOF	0207	A4DB	0424	RSL	0618
INIT	0208	A1DY	0426	RET	0651
SPRH	0211	A2DY	0427	RETH	0652
SPRL	0212	A3DY	0428	RETL	0653
U.SLP	0216	A4DY	0429	COM.P	0661
D.SLP	0217	ARW	0501	BAUD	0662
SKDV	0218	FUZZY	0502	PRTY	0663
HBCS	0301	P	0503	SBIT	0664
HBCD	0302	I	0504	DLEN	0665
Hbdb	0303	D	0505	ADDR	0666
ALT1	0401	MR	0506	RP.TM	0667
ALT2	0402	C.MOD	0507	RBS	0668
ALT3	0403	IN-T	0601	SPSL	0669
ALT4	0404	IN-U	0602		
AL-1	0406	IN.RH	0603		

\* Thick Line : READ ONLY



### Dimension and Panel Cutout



### How to install Mount

